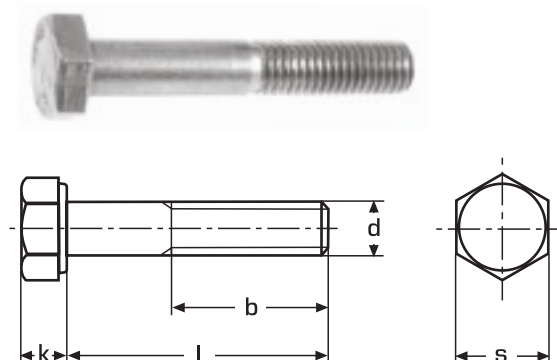


DIN 931

EN 24014
ISO 4014
PN 82101

Śruba z łbem sześciokątnym
z gwintem niepełnym
A2 / A4



b- l < 125	16,0	18,0	22,0	26,0	30,0	34,0	38,0	42,0	46,0	50,0	54,0	60,0	66,0	72,0	78,0
b- l > 125 < 200	-	24,0	28,0	32,0	36,0	40,0	44,0	48,0	52,0	56,0	60,0	66,0	72,0	78,0	84,0
b- l > 200	-	-	28,0	45,0	49,0	-	57,0	-	65,0	-	73,0	79,0	85,0	91,0	97,0
k	3,5	4,0	5,3	6,4	7,5	8,8	10,0	11,5	12,5	14,0	15,0	17,0	18,7	21,0	22,5
e	8,79	11,05	14,38	17,77	20,03	24,49	26,75	30,14	33,53	35,72	39,98	45,2	50,85	55,37	60,79
s	8,0	10,0	13,0	16,0	18,0	22,0	24,0	27,0	30,0	32,0	36,0	41,0	46,0	50,0	55,0

d	M 5	M 6	M 8	M 10	M 12	M 14	M 16	M 18	M 20	M 22	M 24	M 27	M 30	M 33	M 36
----------	------------	------------	------------	-------------	-------------	-------------	-------------	-------------	-------------	-------------	-------------	-------------	-------------	-------------	-------------

l 25	0,486														
30	0,564	0,806	1,640												
35	0,642	0,913	1,820	3,220											
40	0,720	1,020	2,030	3,500	4,940										
45	0,798	1,130	2,220	3,800	5,360										
50	0,876	1,230	2,420	4,110	5,810	8,200	10,700								
55	0,880	1,340	2,580	4,380	6,260	8,810	11,500								
60	1,030	1,440	2,780	4,690	6,700	9,410	12,300	16,100	20,900						
65	1,110	1,550	2,980	5,000	7,030	9,880	13,100	17,100	21,900						
70	1,190	1,650	3,180	5,310	7,470	10,500	13,900	18,100	23,100	28,100	35,600				
75		1,786	3,370	5,620	7,910	11,100	14,700	19,100	24,300		37,400				
80	1,320	1,917	3,570	5,930	8,360	11,700	15,500	20,000	25,500	31,100	39,200	51,100	65,700		
85		1,972	3,629	6,240	8,810		16,300		26,700		41,000	51,100	68,450		
90	1,500	2,200	3,960	6,550	9,240	12,700	17,100	22,000	27,900	34,100	42,800	55,700	71,200	88,200	
100	2,340	2,400	4,192	7,170	10,100	13,900	18,600	24,000	29,100	37,000	46,400	60,300	76,700	95,100	116,000
110		2,600	4,750	7,482	10,900	15,100	20,200	26,000	30,300	40,000	50,000	65,000	82,300	102,000	124,000
120		2,800	5,140	8,410	11,800	16,400	21,800	28,000	32,700	43,000	53,500	69,500	88,000	109,000	132,000
130		2,878	5,320	9,030	12,700	17,400	23,000	29,600	35,100	45,000	56,000	72,000	92,000	115,000	139,000
140		3,200	5,690	9,650	13,600	18,500	24,600	31,600	37,400	48,000	59,500	76,500	97,500	122,000	147,000
150		3,400	6,190	10,270	14,500	19,600	26,200	33,600	39,800	51,000	63,000	81,000	103,000	129,000	155,000
160		3,600	6,400	10,890	15,400	20,700	27,800	35,600	42,200		66,500	85,500	108,500	135,000	163,000
170		3,800	6,610	11,510	16,300	22,300	29,400	37,600	44,600		70,000	90,000	114,000	141,000	171,000
180		4,000	7,225	12,130	17,200		31,000		47,000		73,500	94,500	120,000	148,000	179,000
190			7,030	12,750	18,100	24,700	32,600	39,600	49,400		77,000	99,000	125,000	154,000	187,000
200			7,240	13,370	19,000	26,000	34,200	43,500	51,900	66,000	80,500	103,000	131,000	161,000	195,000
210					19,900		35,000		54,400		83,750	107,500	136,500	168,000	203,000
220			7,660	14,610	20,800		37,400		56,900		87,000	113,000	142,000	175,000	211,000
230				15,230	21,700		39,000		59,400		90,250	117,500	147,500	181,500	230,000
240			8,710	15,850	22,600		40,600		61,900		93,500	122,000	153,000	188,000	227,000
250				16,470	23,500		42,200		64,400		96,750	126,500	158,500	195,000	246,000
260				17,470			43,800		66,900		100,000	131,000			
270							45,400		69,400		104,000	135,500			
280							47,000		103,250		109,750	140,000			
290							48,600		107,400		113,250	144,500			
	200	100	50	50	50	25	10	10	10	10	10	10	10	10	10

Waga 100 sztuk /kg